

## 3kW Convection Heater



### IG5300

PO Number:

**IMPORTANT:** THIS PRODUCT IS ONLY SUITABLE  
FOR WELL INSULATED SPACES OR OCCASIONAL USE

**Please read these instructions carefully before use and retain for future reference**

**Before switching on your appliance,  
always check for any damage which may have been caused in transit**

## CONTENTS

Important Safety Instructions.....	2-4
Specification .....	4-5
Appliance Overview .....	6
Feet Attachment.....	6
Operating Instructions.....	7
Cleaning and Maintenance .....	8
Fuse and Mains Plug Replacement.....	8
Troubleshooting Guide .....	9
Disposal Information.....	9
Terms and Conditions and Warranty Information.....	10-11

## IMPORTANT SAFETY INSTRUCTIONS

Read and follow all of the instructions even if you feel you are familiar with the product, and find a place to keep this manual handy for future reference.

### Important:

- This appliance should only be used by adults.
- Cleaning and user maintenance shall not be made by children.
- Keep the appliance and its cord out of reach of children.
- Children shall not play with the appliance.
- The appliances cannot be used by persons with reduced physical, sensory or mental capabilities.
- This product is intended for domestic use only.
- This product is for indoor use only. Do not use the heater outdoors.
- Ensure that the electricity supply in your home is rated at 220-240volts before operating the appliance.
- If the mains lead of this appliance becomes damaged then it must be replaced by a suitably qualified person using the same rated cable in order to avoid a hazard.
- Children should be supervised to ensure that they do not play with the appliance.
- Always turn off and unplug the appliance before attempting to move.
- Always turn off and unplug the appliance when not in use.

- Do not use the heater unless the feet are attached correctly.
- Do not use the heater in the immediate surroundings of a bath, shower or swimming pool.
- Do not reach for an appliance that has fallen into water. Switch off at supply and unplug immediately
- Never place the heater where it may fall into water, or stand on a damp floor.
- Do not cover or obstruct any of the heat outlet grilles of the heater.
- Do not place the heater on carpets with a deep pile.
- Always ensure that the heater is placed on a firm flat surface.
- Always operate upright.
- This appliance heats up when in use. To avoid burns, do not let bare skin touch the hot surface. Switch off and let the appliance cool before moving or touching.
- Ensure that the heater is not positioned close to curtains or furniture as this may create a fire hazard.
- Do not place the heater in front of, or immediately below a wall socket.
- Do not insert any objects through the heat outlet grilles.
- Do not use the heater in areas where flammable liquids are stored or flammable fumes may be present.
- To protect against fire, electric shock or injury do not immerse the heater, power cord or plug in water or any other liquid.
- Do not twist, kink or wrap the cord around the appliance, this may cause the insulation to weaken and split
- Do not run the cord under carpeting, rugs or runners. Arrange cord away from traffic so that it will not be tripped over. The use of an extension cord with this appliance is not recommended.
- Do not operate with the cord coiled as a build up of heat could be sufficient to become a hazard.
- Do not place the appliance close to a radiant heat source.
- Do not store the appliance while it is still hot.
- Do not remove plug from power socket by pulling the power cord. Always grip the plug.

- Do not remove the plug socket until the appliance is switched off.
- Do not use the appliance to dry clothes.
- Do not operate appliance with wet hands.
- The most common cause of overheating is deposits of dust or fluff in the appliance. Ensure these deposits are removed regularly by unplugging the appliance and vacuum cleaning the grilles.
- Use this appliance only as described in the manual. Any other use is not recommended by the manufacturer and may cause fire, electric shock or injury.

**WARNING:** In order to avoid overheating, do not cover the heater.

## SPECIFICATION

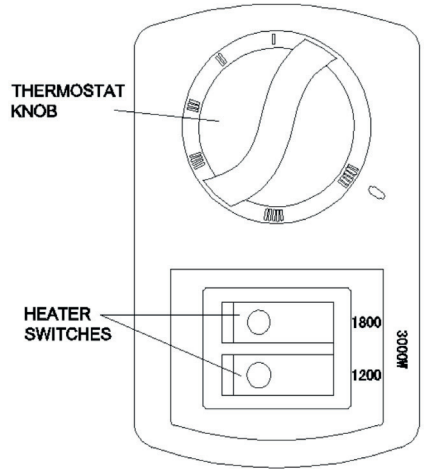
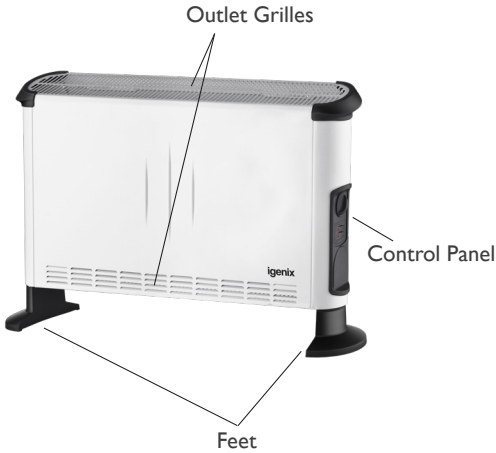
Voltage	220-240V	50-60Hz	
Power	2800-3000W		
Dimensions (mm)	H 375	W 790	D 183

## Technical specification

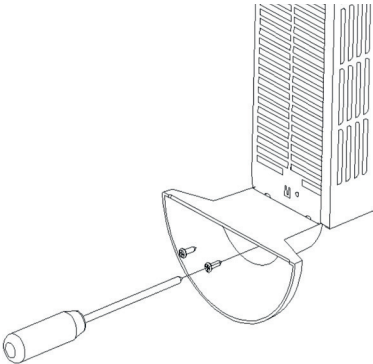
Item	Symbol	Value	Unit
Heat output			
Nominal heat output	$P_{nom}$	2.7-3.0	kW
Minimum heat output (indicative)	$P_{min}$	1.2	kW
Minimum continuous heat output	$P_{max,c}$	3.0	kW
Auxiliary electricity consumption			
At nominal heat output	$eI_{max}$	N/A	kW
At minimum heat output	$eI_{min}$	N/A	kW
In standby mode	$eI_{sb}$	0.00091	kW

Item	Unit
Type of heat input, for electric storage local space heaters only (select one)	
manual heat charge control, with integrated thermostat	No
manual heat charge control with room and/or outdoor temperature feedback	No
electronic heat charge control with room and/or outdoor temperature feedback	No
fan assisted heat output	No
Type of heat output/room temperature control (select one)	
single stage heat output and no room temperature control	No
Two or more manual stages, no room temperature control	No
with mechanic thermostat room temperature control	Yes
with electronic room temperature control	No
electronic room temperature control plus day timer	No
electronic room temperature control plus week timer	No
Other control options (multiple selections possible)	
room temperature control, with presence detection	No
room temperature control, with open window detection	No
with distance control option	No
with adaptive start control	No
with working time limitation	No
with black bulb sensor	No

## APPLIANCE OVERVIEW



## FEET ATTACHMENT



1. Ensure that the heater is unplugged and that the power switches are off.
2. Turn the heater upside down.
3. Locate the two holes at each end of the base of the heater.
4. Secure the feet to the base through the holes using the self tapping screws provided.
5. Turn the heater upright and plug into the mains power socket.

# OPERATING INSTRUCTIONS

Choose a suitable location for the heater ensuring you have taken account of the safety instructions

**NOTE:** It is normal when the heaters are turned on for the first time or when they are turned on not having been used for a long period of time that the heaters may emit some smell and fumes. These will disappear when the heater has been on a short while.

## 1. Switching the heater on

- Take out the heater from its box carefully. Please save the box for off-season storage.
- Attach the feet as instructed on page 5.
- It is better not to use the same electrical socket as other high wattage electrical appliances in order to avoid overloading the circuit.
- Plug in the unit.

## 2. Setting the temperature

- Turn the thermostat knob fully in a clockwise direction to gain the maximum setting.
- Turn on the heating elements by means of the rocker heater switches.
- When the heating elements are on the switches will illuminate.
- For maximum heat output both switches should be turned on.

## 3. Maintaining the temperature

- When the desired room temperature has been reached, the thermostat knob should be turned slowly anti-clockwise until the thermostat is heard to click off and the lights on the element switches are seen to go out.
- After this the heater will keep the air temperature in the room at the set temperature by switching on and off automatically.

## CLEANING AND MAINTENANCE

### Cleaning

Always unplug the heater from the wall socket and allow it to cool. Clean the outside by wiping with a damp cloth (not wet). Do not use detergents or abrasives materials. Do not allow for any water to enter the heater. You can use a vacuum cleaner to remove dust from the grille.

### Storing the Heater

When the heater is not used for long periods of time, it should be protected from dust and stored in a clean dry place. The original packaging box can be saved and used to store the heater away.

## MAINS PLUG FUSE REPLACEMENT

### Fuse Replacement (Class I)

This appliance must be earthed. Remove the fuse cover with a small flat head screw driver. Take out the fuse and replace with a new fuse of the same Amp. Replace the fuse cover and push back into place.



**IF IN DOUBT CONSULT A QUALIFIED ELECTRICIAN – DO NOT ATTEMPT TO CHANGE THE PLUG YOURSELF**

If the mains lead becomes damaged consult a qualified electrician.



## TROUBLE SHOOTING GUIDE

If you experience difficulties with the appliance, please check the suggestions below before contacting customer services on 01473 271272:

Problem	Possible Cause	Possible Solution
The heater does not work.	The appliance is not properly plugged into the wall socket.	Plug the appliance in firmly.
	The appliance is not switched on.	Make sure the appliance is switched on.
	There is no electricity running through the mains wall socket.	Check the fuse or breaker.
The heater is getting too hot.	Inadequate air flow.	Make sure there is circulating air in the room.
	Heat setting is too high.	Adjust the heat setting accordingly.
	The vents are blocked.	Make sure all the vents are clear and free from obstruction.

## DISPOSAL INFORMATION

The European Directive 2012/19/EU on Waste Electrical and Electronic Equipment (WEEE), requires that old household electrical appliances must not be disposed of in normal unsorted municipal waste.



Old appliances must be collected separately in order to optimise the recovery and recycling of the materials they contain and reduce the impact on human health and the environment.

The crossed out “wheeled bin” symbol on the product reminds you of your obligation, that when you dispose of the appliance it must be separately collected. Consumers should contact their local authority or retailer for information concerning the correct disposal of their old appliance.



## Igenix Warranty Terms & Conditions

This product is guaranteed for a period of 12 months as standard from the date of purchase against mechanical and electrical defects. You can extend your warranty for a further 12 months by registering your product.

Upon registration we will cover your product for a period of 24 months from the original purchase date against any mechanical or electrical defects.

To qualify for the warranty, the product must be used for domestic household use only and in accordance with the instructions in the user manual. Any misuse of the product will result in the warranty being void.

The warranty does not cover accidental damage, misuse, neglect, tampering or incorrect adjustment or installation.

The warranty will be rendered invalid if the product is resold, has had its serial number removed (or has an invalid serial number), or if an unauthorised person has carried out any repairs or alterations.

The warranty does not cover accessories or consumable parts that require replacement under normal use. This includes shelving, dials, filters, belts and trays etc.

In the unlikely event of a breakdown please refer to the Troubleshooting guide in your user manual and check all plugs, fuses and the electricity supply.

If you still require assistance please contact our Customer Service department on **01473 271 272** or write to us at the following address:

**Customer Service Department  
38 Bluestem Road, Ransomes Europark  
Ipswich, IP3 9RR**

Please quote the Product Code which begins 'IG' or 'DF' and the PO Number on the front of the manual, and give details of the exact fault. We will then decide whether to repair or replace the item.

Before we arrange the repair or replacement you will be required to return a copy of your proof of purchase. Please retain your original.

If an item is replaced within the agreed warranty period, the warranty for the replacement item will be calculated from the purchase date of the original.

In the event that the product is inspected and no fault is found or the product is not within the warranty period you will be charged for the repair and any carriage costs.



## **Thank you for choosing Igenix**

As a valued customer we would like to offer you a FREE 2 year warranty to cover your product against any electrical or mechanical defects.

This means that in the unlikely event you develop a fault or problem with your product we will happily repair or replace the item free of charge.

To qualify for the 2 year warranty you must register your product within 30 days of purchase. The full Terms & Conditions of our warranty policy are shown on the opposite page. They are also available on our website. **[www.igenix.co.uk](http://www.igenix.co.uk)**

# **igenix**

**38 Bluestem Road, Ransomes Europark, Ipswich, IP3 9RR**

**Tel. 01473 271 272**

Disclaimer: Igenix operate a policy of continual improvement and development.  
We therefore reserve the right to change/alter the specification and appearance of our appliances without prior notice.  
All diagrams and images shown in this manual are for illustration purposes only.