

**400W Bagless Upright Vacuum Cleaner Grey/Blue**



**IG2430**

Batch code:

**Please read these instructions carefully before use and retain for future reference**

**Before switching on your appliance,  
always check for any damage which may have been caused in transit**

## **CONTENTS**

Important Safety Instructions.....	3-4
Appliance Overview .....	5
Operating Instructions.....	6-7
Cleaning and Maintenance .....	8-11
Trouble Shooting Guide.....	12
Fuse Replacement.....	13
Disposal Information.....	13
Terms and Conditions and Warranty Information.....	14-15

## IMPORTANT SAFETY INSTRUCTIONS

Read and follow all of the instructions even if you feel you are familiar with the product, and find a place to keep this manual handy for future reference.

**Important:** This appliance is intended for use in a domestic environment only. Any other use is not recommended by the manufacturer and may cause fire, electrical shocks or other injury to user or property. When using electrical appliances, basic safety precautions should always be followed:

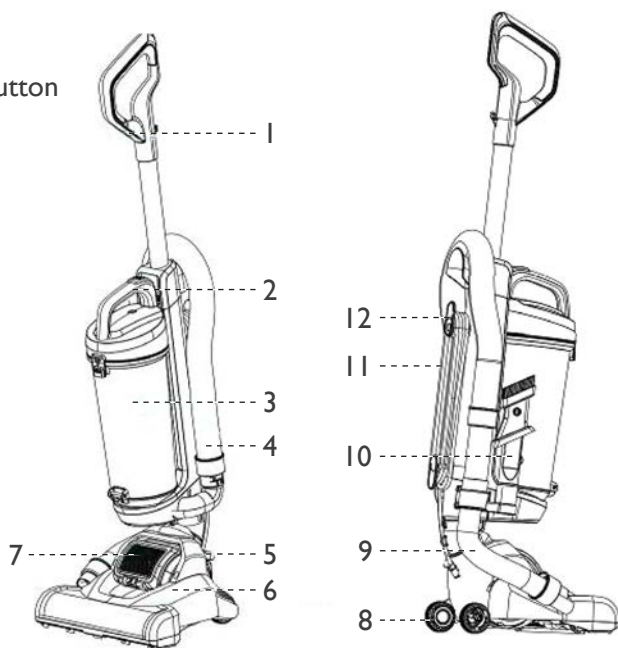
- Before the first operation, make sure the dust container is properly installed.
- Only use the vacuum cleaner indoors, on dry surfaces and keep the area you're cleaning well lit.
- Don't use this vacuum cleaner if it has been dropped, damaged or left outdoors.
- Don't run over the power cord or use the vacuum cleaner if the power cord or plug is damaged. Please contact our customer care line.
- Don't handle the plug or use the vacuum cleaner with wet hands.
- Don't pull or carry this vacuum cleaner by the power cord. Don't use the power cord as a handle, pull the power cord around corners, sharp edges or close a door over the power cord. Don't unplug vacuum cleaner by pulling on the power cord.
- Don't vacuum up any flammable or combustible materials (lighter fluid, petrol, kerosene etc.) or use the vacuum cleaner in an area with explosive vapours or liquid.
- Don't vacuum up hot coals, cigarette butts, matches or smoking hot burning items or use in an area where there may be harmful fluids (chlorine, bleach, and ammonia drain cleaner).
- Don't attempt to remove blockages with sharp objects as this may cause damage to your vacuum cleaner.
- Don't use the vacuum cleaner with the incorrect voltage as this

may result in damage or injury to the user. The correct voltage is listed on the ratings label.

- If abnormal noise, smell, smoke or any other failure or breakage is found during the operation, you should turn off the switch and unplug it. Then contact a qualified technician or the manufacturer for repair. Do not repair by yourself.
- If the supply cord is damaged, it must be replaced by a qualified technician or the manufacturer in order to avoid a hazard.
- This appliance is not intended for use by persons (including children) with reduced physical, sensory or mental capabilities, or lack of experience and knowledge, unless they have been given supervision or instruction concerning use of the appliance by a person responsible for their safety.
- Children should be supervised to ensure that they do not play with the appliance.
- The plug must be removed from the power socket before any maintenance or replacement.

## APPLIANCE OVERVIEW

1. Handle
2. Dust container release button
3. Dust container
4. Extension hose
5. Power button
6. Brush assembly
7. Exhaust filter
8. Wheel(s)
9. Floor brush suction hose
10. Crevice brush
11. Power cord
12. Power cord holder



## Features

- 3L capacity
- 3m flexible extension hose
- 400W motor power
- 6.5m power cord
- Includes 3-in-1 crevice brush
- Easy handling with Air Swivel technology
- Hygienic HEPA outlet filtration for the environment
- Single Cyclone filtration system for high cleaning efficiency
- Lightweight: 4.6kg

## Getting Started

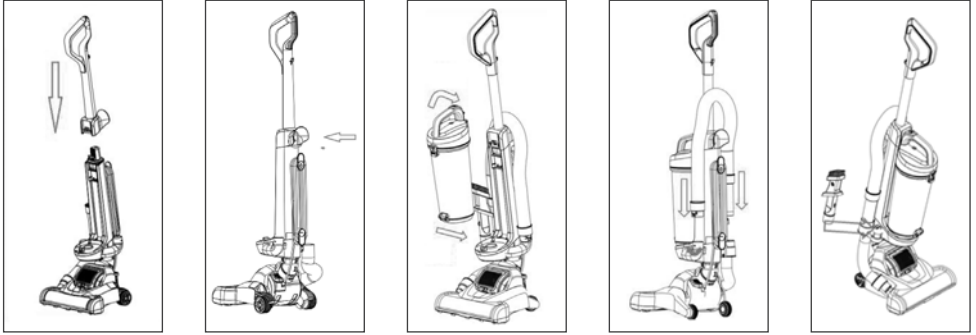
Remove the appliance from the box and remove the packaging from the appliance. Either store or dispose of the box and packaging safely and recycle where possible.

## OPERATING INSTRUCTIONS

Before first use, please wipe all the parts with a soft, damp cloth and dry thoroughly.

Do not immerse the vacuum in any liquid.

### Assembly



Step 1: Insert the handle into the body, and rotate the screw to secure.

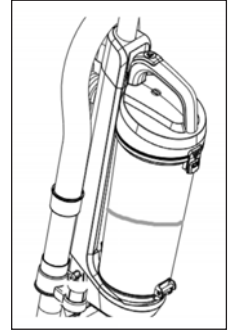
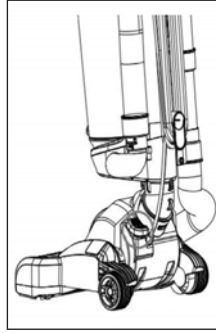
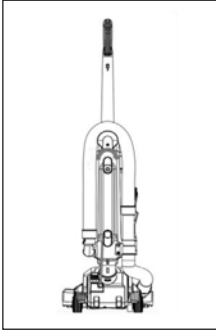
Step 2: Place the dust container onto the machine and push until it clicks into place.

Step 3: Insert one end of the hose into the floor brush and rotate clockwise to join. Then insert the other end into the body of the machine.

Step 4: Insert the crevice brush into the machine.

**Note:** Make sure all parts are firmly attached otherwise suction may be reduced.

## Using the Vacuum



Step 1: Twist the quick release cord hook to release the power cord.

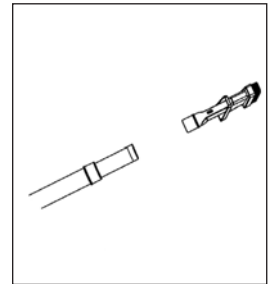
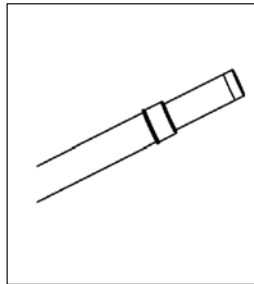
Step 2: Step on the floor brush cover and straighten the body of the machine.

Step 3: Plug in your machine and push ON/OFF button to switch on.

**WARNING:** Do not over fill the dirt container to avoid clogging your filter.

**WARNING:** Do not use the vacuum cleaner without the filter or dust container in place.

## Using the Crevice Brush



Step 1: Remove the hose and crevice brush from the machine.

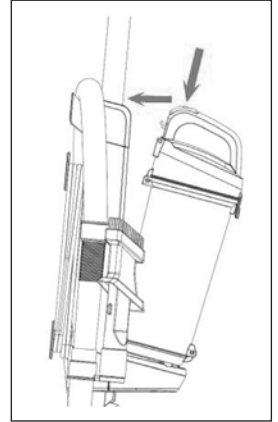
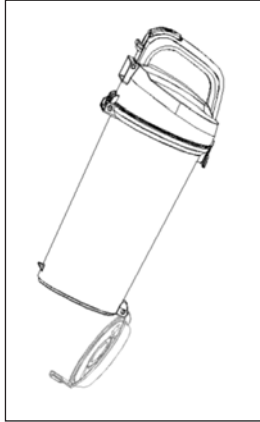
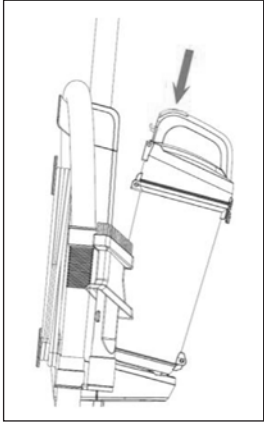
Step 2: The hose can be used like so.

Step 3: For further precision insert the crevice brush.

## CLEANING AND MAINTENANCE

**WARNING:** The plug must be removed from the power socket before any maintenance or replacement. If the power cord is damaged, it should only be replaced by a maintenance centre or similarly qualified persons.

### Emptying and Cleaning the Dust Container



Before emptying the dirt container, cleaning the sponge or cleaning the dust filter, ensure the vacuum is either off or the plug is disconnected. It is advised that the cleaning is undertaken outdoors.

- Step 1: Press dust container release button to remove the dust container.
- Step 2: Hold the dust container over a bin and unclip the lock at the base, allowing the dust to fall out.
- Step 3: Close the base of the dust container. Align the base back onto the machine and push so that it clicks back into place.



## Cleaning the Sponge

Keeping the sponge clear of dust and dirt will preserve the suction of the machine and so will prolong its lifespan.

Step 1: Pull open the dust container by lifting the lock on the handle.



Step 2: Rotate the filter to remove.



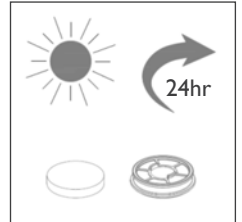
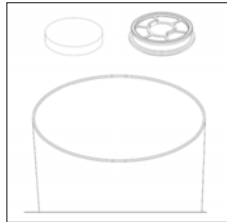
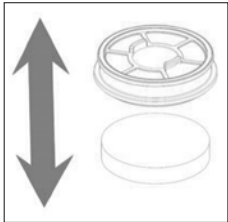
Step 3: Separate the filter so that you have the sponge and the HEPA.

Step 4: Gently knock the sponge repeatedly over a bin to release the dirt.

Step 5: Wash the sponge and HEPA under running water (40°C max).

Step 6: Leave to fully dry for at least 24 hours before placing back in the machine.

**WARNING: Do not use detergent to clean the sponge. The sponge must be air dried – never use external heat sources. Do not wring the sponge otherwise it can be damaged.**



## Cleaning the Dust Filter

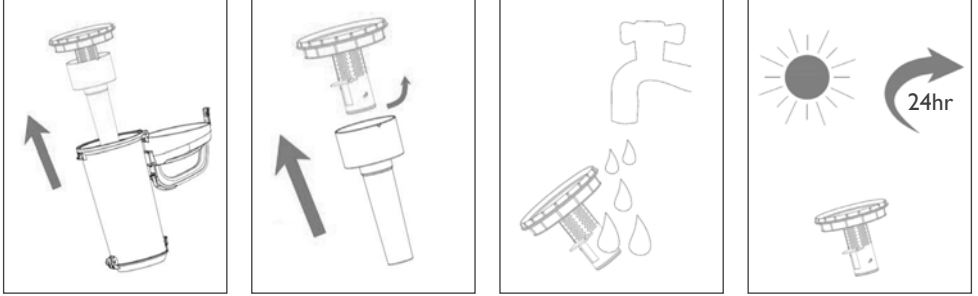
Step 1: Remove the centre of the dust container.

Step 2: Turn the dust filter, and remove.

Step 3: Wash the dust filter under running water.

Step 4: Leave to fully dry for at least 24 hours before placing back in the machine.

**WARNING: Do not use detergent to clean the dust filter. The dust filter must be air dried – never use external heat sources.**



## Cleaning the Exhaust Filter

Step 1: Locate and unlock the filter cover as shown. Slide left to unlock, right to lock.

Step 2: Remove the filter cover and filter. Wipe with a cloth over a bin, removing dirt and debris.

Step 3: Wash with water every 3 months and allow at least 24 hours to dry making sure it is completely dry before placing back into the machine.



## Changing the Drive Belt

Check the drive belt carefully for wear, cuts and stressed areas. If the drive belt appears worn, you will need to replace it.

To remove the drive belt, read the instructions and follow the drawings below: Ensure the machine is switched off and unplugged.

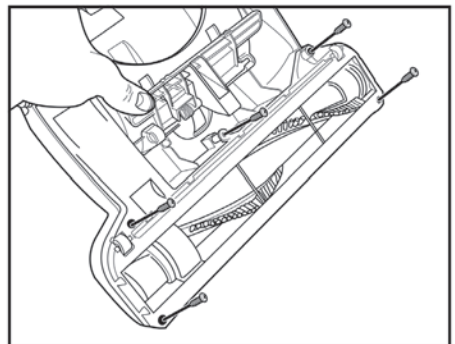
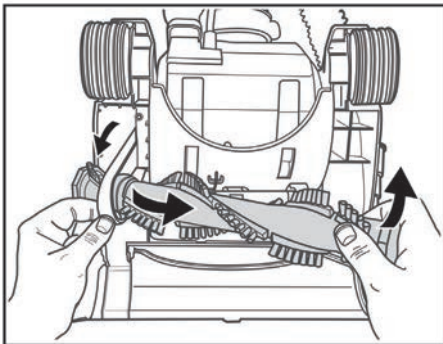
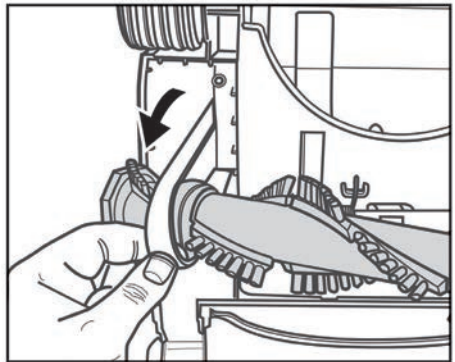
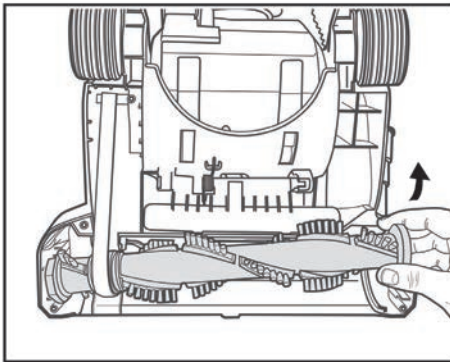
Step 1: Use a cross head screwdriver to remove the six screws at the base of the machine – this will release the cover. Make sure to put them safe to one side. Grasp the old drive belt and remove from the motor shaft. Discard the old drive belt.

Step 2: Loop the new drive belt over the motor shaft. Stretch the other end over the floor brush in the space provided between the bristles. Place ends of floor brush down into slots on sides as shown.

Step 3: Turn the floor brush by hand several times in the direction of the motor shaft.

If properly installed, drive belt will align itself on floor brush.

Step 4: Replace the brush cover and six screws.



## TROUBLE SHOOTING GUIDE

If you experience difficulties with the appliance, please check the suggestions below before contacting customer services on 01473 271272:

Problem	Possible Cause	Possible Solution
The suction is poor.	The hose is blocked.	Disconnect the attachments and remove the blockage.
	The dust container is almost full.	Empty the dust container following the instructions in the section entitled 'Emptying and Cleaning the Dirt Container'.
	The sponge and/or dust filter are blocked.	Clean the sponge and/or dust filter following the instructions in the section entitled 'Cleaning the Sponge' and/or 'Cleaning the Dust Filter'.

## MAINS PLUG FUSE REPLACEMENT

### Fuse Replacement (Class II)

Remove the fuse cover with a small flat head screw driver. Take out the fuse and replace with a new fuse of the same Amp. Replace the fuse cover and push back into place.



### DISPOSAL INFORMATION

This marking indicates that this product should not be disposed with other household wastes throughout the EU. To prevent possible harm to the environment or human health from uncontrolled waste disposal, recycle it responsibly to promote the sustainable reuse of material resources. To return your used device, please use the return and collection systems or contact the retailer where the product was purchased. They can take this product for environmental safe recycling.





## Igenix Warranty Terms & Conditions

This product is guaranteed for a period of 12 months as standard from the date of purchase against mechanical and electrical defects. You can extend your warranty for a further 12 months by registering your product.

Upon registration we will cover your product for a period of 24 months from the original purchase date against any mechanical or electrical defects.

To qualify for the guarantee, the product must be used for domestic household use only and in accordance with the instructions in the user manual. Any misuse of the product will result in the warranty being void.

The guarantee does not cover accidental damage, misuse, neglect, tampering or incorrect adjustment or installation.

The guarantee will be rendered invalid if the product is resold, has had its serial number removed (or has an invalid serial number), or if an unauthorised person has carried out any repairs or alterations.

The warranty does not cover accessories or consumable parts that require replacement under normal use. This includes shelving, dials, filters, belts and trays etc.

In the unlikely event of a breakdown please refer to the Troubleshooting guide in your user manual and check all plugs, fuses and the electricity supply.

If you still require assistance please contact our Customer Service department on **01473 271 272** or write to us at the following address:

**Customer Service Department  
38 Bluestem Road, Ransomes Europark  
Ipswich, IP3 9RR**

Please quote the Product Code which begins 'IG' or 'DF' and the Batch Code on the front of the instruction manual and give details of the exact fault. We will then decide whether to repair or replace the item.

Before we arrange the repair or replacement you will be required to return a copy of your proof of purchase. Please retain your original.

If an item is replaced within the agreed guarantee period, the guarantee for the replacement item will be calculated from the purchase date of the original.

In the event that the product is inspected and no fault is found or the product is not within the guarantee period you will be charged for the repair and any carriage costs.



## **Thank you for choosing Igenix**

As a valued customer we would like to offer you a FREE 2 year warranty to cover your product against any electrical or mechanical defects.

This means that in the unlikely event you develop a fault or problem with your product we will happily repair or replace the item free of charge.

To qualify for the 2 year warranty you must register your product within 30 days of purchase. The full Terms & Conditions of our warranty policy are shown on the opposite page. They are also available on our website. **[www.igenix.co.uk](http://www.igenix.co.uk)**

# igenix

38 Bluestem Road, Ransomes Europark, Ipswich, IP3 9RR

Tel. 01473 271 272

Disclaimer: Igenix operate a policy of continual improvement and development.  
We therefore reserve the right to change/alter the specification and appearance of our appliances without prior notice.  
All diagrams and images shown in this manual are for illustration purposes only.