

16 Inch Pedestal Fan



DFI660 - Chrome
DFI660BL -Black

PO Number:

Please read these instructions carefully before use and retain for future reference.

**Before switching on your appliance,
always check for any damage which may have been caused in transit.**

CONTENTS

Important Safety Instructions.....	3
Specification	4
Appliance Overview	5
Assembly Instructions.....	6-8
Operating Instructions.....	9
Cleaning and Maintenance	10
Trouble Shooting Guide.....	11
Fuse Replacement.....	12
Disposal Information.....	13
Igenix Warranty Terms and Conditions.....	14-15

IMPORTANT SAFETY INSTRUCTIONS

Read and follow all of the instructions even if you feel you are familiar with the product, and find a place to keep this manual handy for future reference.

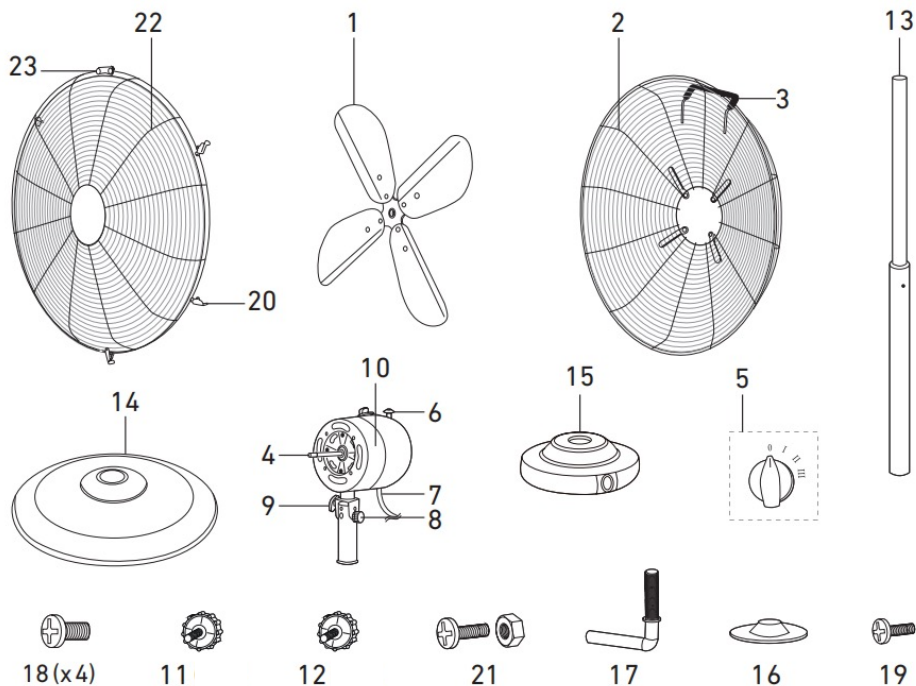
Important: This appliance is intended for use in a domestic environment only. Any other use is not recommended by the manufacturer and may cause fire, electrical shocks or other injury to user or property. When using electrical appliances, basic safety precautions should always be followed:

- Before plugging in the appliance, check that the voltage indicated on the rating label corresponds with the main voltage in your home.
- Do not operate the unit with a damaged cord or plug, after it malfunctions or has been dropped or damaged in any way. Return to an authorised service facility for examination and repair.
- Ensure that the air inlets and outlets are not blocked or covered.
- Do not place the unit too close to curtains or other objects, leave a space of at least 30cm.
- Make sure there are no objects near the unit which can prevent it from oscillating.
- Never insert fingers, pencils or other objects into the unit if the power cord is plugged in, and especially not during operation. Warn your children against these dangers.
- This appliance should only be used by adults.
- This appliance is not intended for use by persons (including children) with reduced physical, sensory or mental capabilities, or lack of experience and knowledge.
- Keep the appliance and its cord out of the reach of children.
- Children shall not play with the appliance.
- Cleaning and user maintenance shall not be made by children.
- Unplug the unit from the socket when not in use. Do not pull on the cord.
- Do not use the unit near bath, shower, swimming pool or anywhere it could be splashed with water.
- Do not expose the unit to direct sunlight.
- Do not immerse the appliance, electrical cord or plug in any type of liquid.
- Do not use the appliance near a source of heat.
- Do not use the unit near flammable or explosive gases.
- Before cleaning the unit, switch it off and unplug the power cord.
- Do not leave the unit unattended during operation. Always unplug the power cord when not in use.
- To repair the unit, take it to a qualified service engineer. Repairs carried out by unqualified people may cause damage to the unit or injury to persons or property and void the warranty.

SPECIFICATION

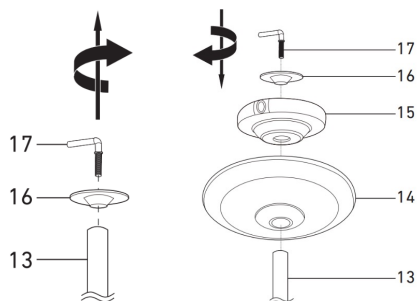
Model No:	DFI 660 / DFI 660BL
Brand	Igenix
Wattage (W)	45 W
Frequency (Hz)	50 Hz
Voltage (V)	220-240 V
Product Dimensions (mm)	H 1250 x W 400 x D 440 mm
Net Weight (kg)	6.3 kg
Oscillation Function	Yes
Overheat Protection	Yes
Speeds	Low, Medium, High

APPLIANCE OVERVIEW

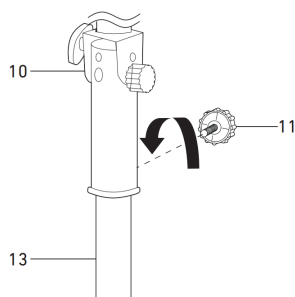


- | | |
|-------------------------------|---------------------------------|
| 1. Fan Blades | 13. Extension Pole |
| 2. Rear Grille | 14. Base |
| 3. Handle | 15. Base Weight |
| 4. Motor Unit Shaft | 16. Washer |
| 5. Speed Control Dial | 17. L-shaped Bolt |
| 6. Oscillation Button | 18. Motor Unit Lock Screws (x4) |
| 7. Power Cord | 19. Fan Blade Lock Screw |
| 8. Tilt Adjustment Bolt | 20. Grille Clips (x5) |
| 9. Fan Head Bolt | 21. Fan Grille Lock Screw |
| 10. Fan Motor Unit | 22. Front Grille |
| 11. Motor Unit Lock Screw | 23. Grille Hook |
| 12. Extension Pole Lock Screw | |

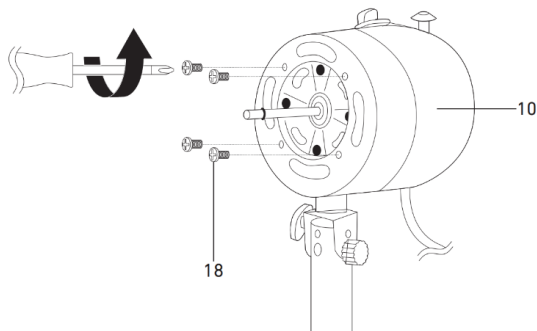
ASSEMBLY INSTRUCTIONS



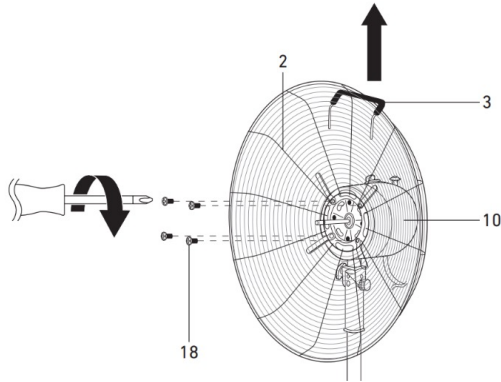
1. Turn the extension pole (13) upside down so that the L-shaped bolt (17) is directed upwards.
2. Remove the L-shaped bolt (17) and the washer (16) from the extension pole (13).
3. Place the base (14) and the base weight (15) on the extension pole (13).
4. Fasten the washer (16) and the L-shaped bolt (17), through the base weight (15) and base (14).



5. Turn the extension pole and base so that the base (14) is on the floor.
6. Remove the motor unit lock screw (11) from the top of the extension pole (13).
7. Place the fan motor unit (10) onto the extension pole (13). Align the holes on the back. Replace and tighten the fan motor unit lock screw (11).

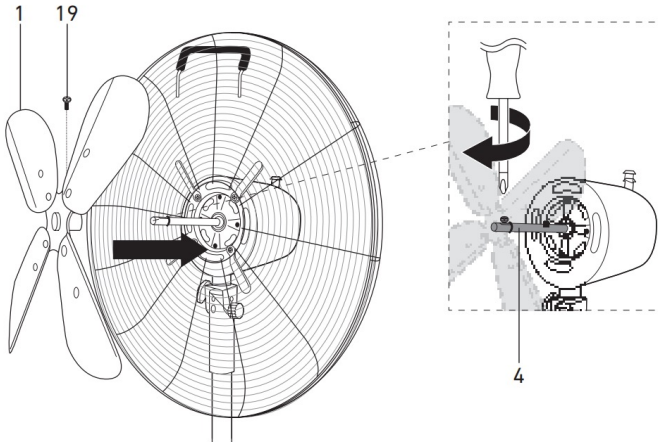


8. Remove the 4 motor unit lock screws (18) from the motor unit (10).



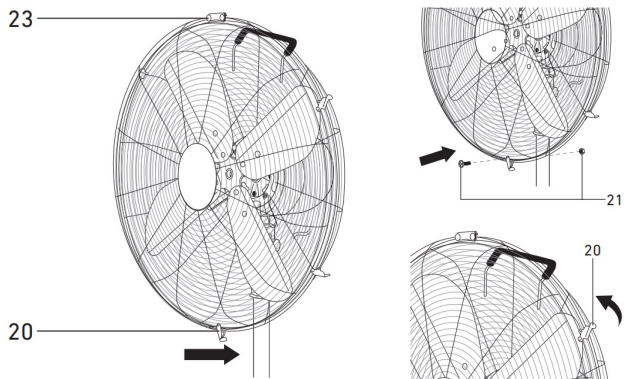
9. Align the handle on the rear grille (3) upwards and towards the back. Attach the rear grille (2) to the motor unit (10).

10. Tighten the four motor unit lock screws (18).



11. Loosen the fan blade lock screws (19) from the fan blade (1). Place the blade onto the motor unit shaft (4).

12. Replace the fan blade lock screws (19).



13. Open the 5 grille clips (20) on the front grille (22).
14. Remove the fan grille lock screw (21) from the front grille (22).
15. Hang the grille hook on the front grille (23), onto the rear grille (2). The 5 grille clips (20) must be able to clip over the frame of the rear grille (2).
16. Fasten the fan grille lock screw (21) through the front and rear grille and close the grille clips.

OPERATING INSTRUCTIONS

1. Ensure the speed control dial (5) is in the off position (0) and then plug in.
2. Adjust the fan speed by twisting the speed control dial (5).
3. 0 = Off
I = Low
II = Medium
III = High
4. To oscillate the fan, push down the oscillation button (6), located at the top of the fan motor unit (10). To stop oscillation, pull up the same button.
5. To change the angle of the fan, loosen the tilt adjustment bolt (8) and adjust fan head to the desired position and re-tighten.
6. Use the extension pole lock screw (12) to raise or lower the fan. Ensure the lock is fully tightened.

CLEANING AND MAINTENANCE

1. Switch off and remove plug from the socket.
2. Remove the front grille.
3. Wipe blades with a soft damp cloth, taking care not to alter the angle of the blades.
Allow to dry or wipe with a soft dry cloth.
4. Replace the front grille.
5. If necessary, you can use a soft brush or vacuum cleaner to remove dust from the grilles.
6. Ensure that the fan has been reassembled fully before use.

TROUBLE SHOOTING GUIDE

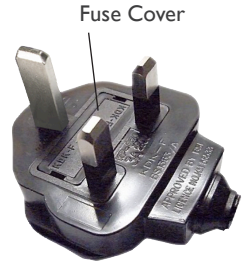
If you experience difficulties with the appliance, please check the suggestions below before contacting customer services on 01473 271272:

Problem	Possible Cause	Possible Solution
The appliance does not work.	The appliance is not properly plugged into the wall socket.	Plug the appliance in firmly.
	The appliance is not switched on.	Make sure the appliance is switched on.
	There is no electricity running through the mains wall socket.	Check the fuse or breaker.

MAINS PLUG FUSE REPLACEMENT

Fuse Replacement (Class I)

This appliance must be earthed. Remove the fuse cover with a small flat head screw driver. Take out the fuse and replace with a new fuse of the same Amp. Replace the fuse cover and push back into place.



DISPOSAL INFORMATION

The European Directive 2012/19/EU on Waste Electrical and Electronic Equipment (WEEE), requires that old household electrical appliances must not be disposed of in normal unsorted municipal waste.

Old appliances must be collected separately in order to optimise the recovery and recycling of the materials they contain and reduce the impact on human health and the environment.

The crossed out “wheeled bin” symbol on the product reminds you of your obligation, that when you dispose of the appliance it must be separately collected. Consumers should contact their local authority or retailer for information concerning the correct disposal of their old appliance.





Igenix Warranty Terms & Conditions

This product is guaranteed for a period of 12 months as standard from the date of purchase against mechanical and electrical defects. You can extend your warranty for a further 12 months by registering your product.

Upon registration we will cover your product for a period of 24 months from the original purchase date against any mechanical or electrical defects.

To qualify for the guarantee, the product must be used for domestic household use only and in accordance with the instructions in the user manual. Any misuse of the product will result in the warranty being void.

The guarantee does not cover accidental damage, misuse, neglect, tampering or incorrect adjustment or installation.

The guarantee will be rendered invalid if the product is resold, has had its serial number removed (or has an invalid serial number), or if an unauthorised person has carried out any repairs or alterations.

The warranty does not cover accessories or consumable parts that require replacement under normal use. This includes shelving, dials, filters, belts and trays etc.

In the unlikely event of a breakdown please refer to the Troubleshooting guide in your user manual and check all plugs, fuses and the electricity supply.

If you still require assistance please contact our Customer Service department on **01473 271 272** or write to us at the following address:

**Customer Service Department
38 Bluestem Road, Ransomes Europark
Ipswich, IP3 9RR**

Please quote the Product Code which begins 'IG' or 'DF' and the PO Number on the front of the instruction manual and give details of the exact fault. We will then decide whether to repair or replace the item.

Before we arrange the repair or replacement you will be required to return a copy of your proof of purchase. Please retain your original.

If an item is replaced within the agreed guarantee period, the guarantee for the replacement item will be calculated from the purchase date of the original.

In the event that the product is inspected and no fault is found or the product is not within the guarantee period you will be charged for the repair and any carriage costs.



Thank you for choosing Igenix

As a valued customer we would like to offer you a FREE 2 year warranty to cover your product against any electrical or mechanical defects.

This means that in the unlikely event you develop a fault or problem with your product we will happily repair or replace the item free of charge.

To qualify for the 2 year warranty you must register your product within 30 days of purchase. The full Terms & Conditions of our warranty policy are shown on the opposite page. They are also available on our website. **www.igenix.co.uk**

igenix

**38 Bluestem Road, Ransomes Europark, Ipswich, IP3 9RR
Castle Electrical Factors Ltd., Dundalk, A91 KA9R, IR
Tel. 01473 271 272**

Disclaimer: Igenix operate a policy of continual improvement and development.
We therefore reserve the right to change/alter the specification and appearance of our appliances without prior notice.
All diagrams and images shown in this manual are for illustration purposes only.