

USER MANUAL

igenix

30 Litre 1000W Digital Combination Microwave Stainless Steel



IG3095

Batch code:



OVEN COOKING
FUNCTION



MAXIMUM OVEN
TEMPERATURE 230°C



315mm
TURNTABLE



HOME FRY
FUNCTION



CRISPY GRILL
FUNCTION



OVEN STYLE PULL
DOWN DOOR



GRILL PAN & RACK
ACCESSORIES

Please read these instructions carefully before use and retain for future reference

**Before switching on your appliance,
always check for any damage which may have been caused in transit**

CONTENTS

Safety Instructions.....	3-6
Specifications.....	6
Suitable Container Advice.....	7
Appliance Overview	8
Installation of the Appliance.....	9
Control Panel.....	10
Operating Instructions.....	11-19
Cleaning.....	19
Trouble Shooting.....	20
Fuse Replacement.....	21
Disposal of the Appliance.....	21

IMPORTANT SAFETY INSTRUCTIONS

WARNING: To reduce the risk of fire, electric shock, injury to persons or exposure to excessive microwave energy when using your appliance, follow basic precautions, including the following:

- The appliance must not be installed behind a decorative door as this can cause overheating.
- The microwave shall not be placed in a cabinet.
- The microwave is intended for heating food and beverages only.
- Metallic containers for food and beverages are not permitted for microwave cooking.
- The appliance is intended to be used freestanding.
- Do not use with an extension cord.
- Warning: Liquids and other foods must not be heated in sealed containers since they are liable to explode.
- Warning: It is hazardous for anyone other than a qualified person to carry out any service or repair operation that involves the removal of a cover which gives protection against exposure to microwave energy.
- Do not allow children or infirm persons to operate the appliance without supervision.
- The appliance is not intended for use by persons (including children) with reduced physical, sensory or mental impairment, or lack of experience and knowledge, unless they have been given supervision or instruction concerning use of the appliance by a person responsible for their safety.
- Keep the appliance cord out of reach of children.
- Only use containers suitable for use in microwaves.
- The microwave should be cleaned regularly and any food deposits should be removed.
- Read and follow the specific: "PRECAUTIONS TO AVOID POSSIBLE EXPOSURE TO EXCESSIVE MICROWAVE ENERGY".
- When heating food in plastic or paper containers, keep an eye on the microwave due to the possibility of ignition.
- If smoke is emitted, disconnect the appliance immediately and keep the door closed in order to stifle any flames.

- Do not overcook food.
- Do not use the microwave cavity for storage purposes. Do not store items, such as bread, cookies, etc. inside the oven.
- Remove wire twist-ties and metal handles from paper or plastic containers/bags before placing them in the microwave.
- Install or locate this microwave only in accordance with the installation instructions provided.
- Eggs in the shell and whole hard-boiled eggs should not be heated in microwaves since they may explode, even after microwave heating has ended.
- This appliance is intended to be used in household and similar applications such as:
 - staff kitchen areas in shops, offices and other working environments;
 - by clients in hotels, motels and other residential type environments;
 - farm houses;
 - bed and breakfast type environments.
- If the supply cord is damaged, it must be replaced by the manufacturer, its service agent or similarly qualified persons in order to avoid a hazard.
- Do not store or use this appliance outdoors.
- Do not use this microwave near water, in a wet basement or near a swimming pool.
- The temperature of accessible surfaces may be high when the appliance is operating.
- The surfaces are liable to get hot during use. Keep cord away from heated surface, and do not cover any vents on the microwave.
- Do not let the cord hang over the edge of the table or counter.
- Failure to maintain the microwave in a clean condition could lead to deterioration of the surface that could adversely affect the life of the appliance and possibly result in a hazardous situation.
- The contents of feeding bottles and baby food jars shall be stirred or shaken and the temperature checked before consumption, in order to avoid burns.
- Microwave heating of beverages can result in delayed eruptive boiling, therefore care must be taken when handling the container.
- Children should be supervised to ensure that they do not play with the appliance.

- The appliances are not intended to be operated by means of an external timer or separate remote-control system.
- Only use the temperature probe recommended for temperature-sensing this microwave.



WARNING: The appliance and its accessible parts become hot during use. Extreme care should be taken to avoid touching heating elements. Children should be kept away

- Surface of a storage cabinet can become hot. Great care should be taken to avoid touching when it is being used.



WARNING: Microwave must not be operated without food inside. Operating the microwave when empty could cause damage.

- READ CAREFULLY AND KEEP FOR FUTURE REFERENCE

To Reduce the Risk of Injury to Persons Grounding Installation



Electric Shock Hazard: Touching some of the internal components can cause serious personal injury or death. Do not disassemble this appliance.



WARNING

Electric Shock Hazard: Improper use of the earthing can result in electric shock. Do not plug into an outlet until appliance is properly installed and earthed.

This appliance must be earthed. In the event of an electrical short circuit, earthing reduces the risk of electric shock by providing an escape wire for the electric current.

This appliance is equipped with a cord having a earth wire with a earthing plug. The plug must be plugged into an outlet that is properly installed and earthed.

Consult a qualified electrician or serviceman if the earthing instructions are not completely understood or if doubt exists as to whether the appliance is properly earthed.

PRECAUTIONS TO AVOID POSSIBLE EXPOSURE TO EXCESSIVE MICROWAVE ENERGY

- (a) Do not attempt to operate this microwave with the door open since this can result in harmful exposure to microwave energy. It is important not to break or tamper with the safety interlocks.
- (b) Do not place any object between the microwave front face and the door or allow soil or cleaner residue to accumulate on sealing surfaces.
- (c) **WARNING:** If the door or door seals are damaged, the microwave must not be operated until it has been repaired by a qualified electrician.

Addendum

If the apparatus is not maintained in a good state of cleanliness, its surface could be degraded and affect the lifespan of the apparatus and lead to a dangerous situation.

SPECIFICATIONS

Model:	IG3095
Voltage/Frequency:	230-240V~50Hz
Rated Input Power (Microwave):	1550W
Rated Output Power (Microwave):	1000W
Rated Input Power (Grill):	2400W
Rated Input Power (Convection):	2400W
Oven Capacity:	30L
Turntable Diameter:	315mm
External Dimensions (mm):	327 x 520 x 520
Net Weight:	19.8kg

SUITABLE CONTAINER ADVICE

Heat Resistant Glass - Heat-resistant ovenproof glassware only. Make sure there is no metallic trim. Do not use cracked or chipped dishes.

Heat Resistant Ceramics - Heat Resistant ovenproof ceramics only. Make sure there is no metallic trim. Do not use cracked or chipped dishes.

Ready Meal Containers - Microwave-safe and ovenproof only. If only suitable for microwaving then use on microwave function only. If suitable for microwave and oven cooking then may be used for microwave only and convection only functions.

Cling Film - Microwave-safe only. Use to cover food during cooking to retain moisture. Do not allow plastic wrap to touch food.

Grill Pan - Only use the grill pan supplied - No other grill pan may be used. For use with the Grill Only, Home Fry and Crispy Grill functions and only to be used in conjunction with the grill rack.

Grill Rack - Only use the grill rack supplied - No other grill rack may be used. For use with the Grill Only, Combination, Home Fry and Crispy Grill functions and only to be used in conjunction with the grill pan.

Paper Towels - Use to cover food for reheating and absorbing fat. Use with supervision for a short-term microwave cooking only, not for use with any other function.

Oven Cooking Bags - Follow manufacturer's instructions. Do not close with metal tie. Make slits to allow steam to escape.

Cookware	Microwave	Grill	Convection	Combination	Home Fry	Crispy Grill
Heat Resistant Glass	✓	✓	✓	✓	✗	✗
Heat Resistant Ceramics	✓	✓	✓	✓	✗	✗
Ready Meal Containers	✓	✗	✓	✗	✗	✗
Cling Film	✓	✗	✗	✗	✗	✗
Grill Pan	✗	✓	✗	✗	✓	✓
Grill Rack	✗	✓	✗	✓	✓	✓
Paper Towels	✓	✗	✗	✗	✗	✗
Oven Cooking Bags	✗	✗	✓	✗	✗	✗

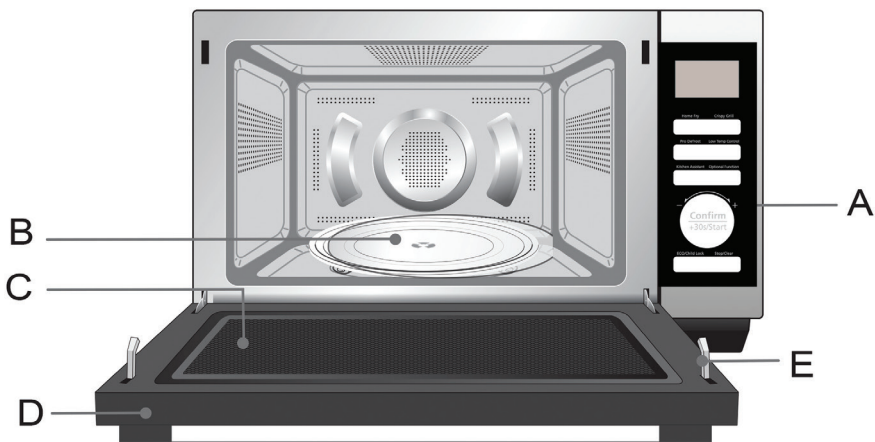
APPLIANCE OVERVIEW

Your microwave comes with the following accessories:

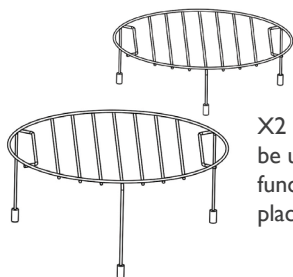
Glass tray x1

Turntable ring assembly x1

Instruction Manual x1



- A) Control panel
- B) Turntable
- C) Observation window
- D) Door assembly
- E) Door catch



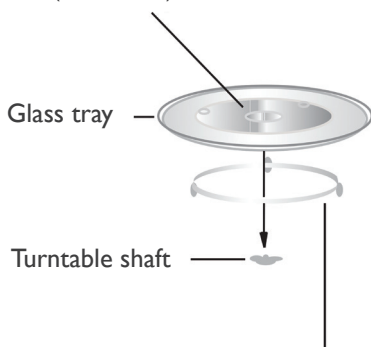
X2 Grill Rack (Cannot be used in microwave function and must be placed on the glass tray)



Grill tray (Cannot be used in microwave function and must be placed on the grill rack)

Turntable installation

Hub (underside)



Turntable ring assembly

COUNTERTOP INSTALLATION

Remove all packing material and accessories. Examine the microwave for any damage such as dents or a broken door. Do not install if microwave is damaged. Cabinet: Remove any protective film found on the microwave cabinet surface. Do not remove the light brown Mica cover that is attached to the microwave cavity to protect the magnetron.

INSTALLATION

1. Select a level surface that provides enough open space for the intake and/or outlet vents.

(1) The minimum installation height is 85cm.

(2) The rear surface of the appliance should be placed against a wall. Leave a minimum clearance of 30cm above the microwave, a minimum clearance of 20cm is required between the microwave and any adjacent walls.

(3) Do not remove the legs from the bottom of the microwave.

(4) Blocking the intake and/or outlet openings can damage the microwave.

(5) Place the microwave as far away from radios and TV as possible.

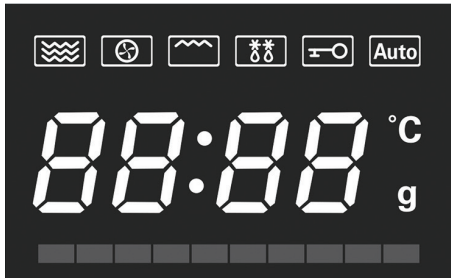
Operation of the microwave may cause interference to your radio or TV reception.

2. Plug your microwave into a standard household outlet. Be sure the voltage and the frequency is the same as the voltage and the frequency on the rating label.

WARNING: Do not install microwave over a range cooktop or other heat-producing appliances. If installed near or over a heat source, the microwave could be damaged and the warranty would be void.

The accessible surface may be hot during operation.

CONTROL PANEL



Indicates microwave cooking is taking place



Indicates grill cooking is taking place



Indicates convection cooking is taking place



+ Indicates microwave and grill combi cooking is taking place



+ Indicates microwave and convection combi cooking is taking place



+ Indicates grill and grill convection cooking is taking place



+ + Indicates microwave, grill and convection combi cooking is taking place



+ **Auto** Indicates the Home Fry function has been selected



+ **Auto** Indicates the Crispy Grill function has been selected.



+ Indicates defrosting is taking place



Indicates the auto menu function has been selected



Indicates the safety lock is engaged

g

Indicates the weight is being set

°C

Indicates the temperature

OPERATING INSTRUCTIONS

This microwave oven uses modern electronic control to adjust cooking parameters to meet your needs for better cooking.

1. Clock Setting

When the microwave oven is turned on, the oven will display “00:00” and the Buzzer will ring once.

- 1) Press “Kitchen Assistant” once, the screen displays “AS-1”.
- 2) Press “Confirm/+30s/Start” to enter Clock setting mode, “00:00” will display and the hour figure will flash.
- 3) Turn “Dial” to adjust the hour figures, the input time should be within 0--23(24-hour).
- 4) Press “Kitchen Assistant”, the minute figures will flash.
- 5) Turn “Dial” to adjust the minute figures, the input time should be within 0--59.
- 6) Press “Kitchen Assistant” to finish clock setting.

Note: After step 5, if “Kitchen Assistant” is not pressed within 5 minutes of setting the time then the display will revert to previous display shown.

2. Kitchen Timer

- 1) Press “Kitchen Assistant” twice, the screen displays “AS-2”.
- 2) Press “Confirm/+30s/Start” to enter Kitchen timer setting mode, “00:00” will display.
- 2) Turn “Dial” to set the kitchen timer (The maximum cooking time is 95 minutes).
- 3) Press “Confirm/+30s/Start” to confirm setting.
- 4) When the kitchen time is reached, the buzzer will ring 5 times.

Note: If the clock has been set, then once the timer is complete the display will revert to show the current time.

3. Microwave Cooking

This option uses the microwave function only; there are 5 power levels for users to choose from when cooking.

- 1) Press “Optional Function” once and “P100” will flash on the display.
- 2) Press “Confirm/+30s/Start” to confirm the function, “P100” will display.
- 3) Press “Optional Function” repeatedly or turn “Dial” to change microwave power levels from “P100” through to “P10”.

- 4) Press “Confirm/+30s/Start” to confirm power setting.
- 5) Turn “Dial” to adjust the cooking time (The maximum cooking time is 95 minutes).
- 6) Press “Confirm/+30s/Start” to start cooking.

Note: The adjustment intervals on the dial vary according to the time set, as per below table.

Time Set	Adjustment interval
0-1 min	5 seconds
1-5 min	10 seconds
5-10 min	30 seconds
10-30 min	1 minute
30-95 min	5 minutes

Microwave Power Chart

Level	High	M. High	Med	M. Low	Low
Power	P100	P80	P50	P30	P10

4. Grill Cooking

The grill function works similar to the traditional grill in an oven, only the top heating element will work and it can be used to grill food such as meat, vegetables or cheese on toast.

- 1) Press “Optional Function” twice and “G-1” will flash on the screen.
- 2) Press “Confirm/+30s/Start” to confirm the function and “G-1” will display.
- 3) Turn “Dial” to adjust the cooking time (The maximum setting time is 95 minutes).
- 4) Press “Confirm/+30s/Start” to start cooking.

Note: If half the grill time passes, the oven sounds twice to alert you to turn the food over. In order to achieve the best results you should: open the door, turn the food over, close the door, and press “Confirm/+30s/Start” to continue cooking. If the door is not opened then the oven will continue cooking.

5. Convection Cooking (With pre-heat function)

With convection cooking you can cook the food as you would in a traditional oven.

It is recommended that you should pre-heat the oven to the appropriate temperature before placing the food in the oven.

- 1) Press “Optional Function” 3 times, “140” flashes.
- 2) Press “Confirm/+30s/Start” to confirm the function. “140” will display.
- 3) Press “Optional Function” repeatedly or turn “Dial” to select the convection temperature.

Note: The temperature can be chosen from 140°C to 230°C.

- 4) Press “Confirm/+30s/Start” to confirm the temperature.
- 5) Press “Confirm/+30s/Start” to start pre-heating. When the preheating temperature arrives, the buzzer will sound twice to remind you to put the food into the oven. The pre-heated temperature is displayed and flashes.
- 6) Put the food into the oven and close the door. Turn “Dial” to adjust the cooking time.
- 7) Press “Confirm/+30s/Start” to start cooking.

6. Convection Cooking (Without pre-heat function)

This option is for when preheating is not needed before using the convection cooking function.

- 1) Press “Optional Function” 3 times, “140” flashes.
- 2) Press “Confirm/+30s/Start” to confirm the function. “140” will display.
- 3) Press “Optional Function” repeatedly or turn “Dial” to select the convection temperature.

Note: The temperature can be chosen from 140°C to 230°C.

- 4) Press “Confirm/+30s/Start” to confirm the temperature.
- 5) Turn “Dial” to adjust the cooking time.
- 6) Press “Confirm/+30s/Start” to start cooking.

7. Combi. Cooking

There are 4 combi cooking functions from C-1 to C-4. This offers different combination settings of microwave, grill and convection functions and can give users various cooking options for different foods.

- 1) Press “Optional Function” 4 times, “C-1” will flash on the screen.
- 2) Press “Confirm/+30s/Start” to confirm the function. “C-1” will display.
- 3) Press “Optional Function” repeatedly or turn “Dial” to select combination mode from C-1 to C-4.
- 4) Press “Confirm/+30s/Start” to confirm the selection.
- 5) Turn “Dial” to adjust the cooking time (The maximum cooking time is 95 minutes).
- 6) Press “Confirm/+30s/Start” to start the cooking.

Note: Combination instructions

Instructions	Display	Microwave	Grill	Convection
1	C-1	•		•
2	C-2	•	•	
3	C-3		•	•
4	C-4	•	•	•

8. Defrost by W.T.

- 1) Press “Pro Defrost” once, the screen displays “dEF1”.
- 2) Turn “Dial” to select the weight of food. The weight should be 100g-2000g.
- 3) Press “Confirm/+30s/Start” key to start defrosting.

9. Defrost by Time

- 1) Press “Pro Defrost” twice, the screen displays “dEF2”.
- 2) Turn “Dial” to adjust cooking time.
- 3) Press “Confirm/+30s/Start” key to start defrosting.

10. Multi-Stage Cooking

Two stages can be set at one time. If one stage is defrosting, it should be put in as the first stage. The buzzer will ring once after each stage and the next stage will begin.

Note: Auto menu and pre-heating cannot be set as one of the multi-stages.

Example: if you want to defrost the food for 5 minutes, then cook with 80% microwave power for 7 minutes. The steps are as following:

- 1) Press “Pro Defrost” twice, the screen will display “dEF2”;
- 2) Turn “Dial” to adjust the defrost time of 5 minutes;
- 3) Press “Optional Function” once, “P100” will display;
- 4) Press “Confirm/+30s/Start” to confirm the function. “P100” will display.
- 5) Turn “Dial” to choose 80% microwave power until “P80” displays;
- 6) Press “Confirm/+30s/Start” to confirm;
- 7) Turn “Dial” to adjust the cooking time of 7 minutes;
- 8) Press “Confirm/+30s/Start” to start cooking.

11. Home Fry

This function combines a grill with hot air circulation and uses the grill pan. It can be used to cook fries, onion rings, etc. Food is cooked crispy inside and out using only a drop of oil.

- 1) Press “Home Fry” once, “H1” will flash.

2) Press “Home Fry” repeatedly or turn “Dial” to select home fry menu from H1 to H9.

3) Press “Confirm/+30s/Start” to start cooking.

No.	Menu	Weight (g)
H1	Frozen French fries	300
H2	Frozen potato croquettes	350
H3	Frozen squid	250
H4	Frozen onion rings	225
H5	Frozen chicken nuggets	350
H6	Escalope	270
H7	Shrimps	250
H8	Vegetables	200
H9	Spring rolls	250

12. Low Temp Control

1) Press the “Low Temp Control” once, “L1” will flash.

2) Press “Low Temp Control” repeatedly or turn “Dial” to select crispy grill menu from L1 to L5.

3) Press “Confirm/+30s/Start” to confirm.

4) Turn “Dial” to select the temperature.

5) Press “Confirm/+30s/Start” to confirm.

6) Turn “Dial” to adjust the cooking time.

7) Press “Confirm/+30s/Start” to start cooking.

Display	40 °C	50 °C	60 °C	70 °C	80 °C	90 °C	100 °C	110 °C	Cooking time (Max)
L1 (Slow cook)						✓		✓	12hrs
L2 (Keep warm)			✓	✓	✓				95mins
L3 (Food dry)	✓	✓	✓	✓	✓	✓			12hrs
L4 (Yoghurt)	✓								12hrs
L5 (Warming box)	✓	✓	✓	✓	✓	✓	✓		95mins

13. Auto Menu

For the auto menu function, user can directly choose the menu for cooking specific foods such as pasta and pizza. It makes cooking much easier and save users' time on checking the menu and doing research.

- 1) Turn "Dial" left to choose the menu, and "A1" and "A10" will be display.
- 2) Press "Confirm/+30s/Start" to confirm the menu you need.
- 3) Turn "Dial" to choose the weight menu, and "g" indicator will light.
- 4) Press "Confirm/+30s/Start" to start cooking.

Note: When you choose Cake, please do not put the cake into the oven at the beginning. The oven needs to be pre-heated to 140°C first. After several minutes, the buzzer sounds twice to remind you to put the cake into the oven. After putting the cake in the oven, please press "Confirm/+30s/Start" again. The timer will count down, and the cake will be cooked perfectly.

Menu	Weight	Display	Power
A1 AUTO REHEAT	150g	150	100%
	250g	250	
	350g	350	
	450g	450	
	600g	600	
A2 POTATO	1 (about 230g)	1	100%
	2 (about 460g)	2	
	3 (about 690g)	3	
A3 MEAT	150g	150	100%
	300g	300	
	450g	450	
	600g	600	
A4 VEGETABLE	150g	150	100%
	350g	350	
	500g	500	
A5 FISH	150g	150	80%
	250g	250	
	350g	650	
	450g	450	
	650g	650	

Menu	Weight	Display	Power
A6 PASTA	50g (with 450ml cold water)	50	100%
	100g (with 800g cold water)	100	
	150g (1200g cold water)	150	
A7 SOUP	200g	200	100%
	400g	400	
	600g	600	
A8 CAKE	475g	475	Preheat to 140°C
A9 PIZZA	200g	200	C-4
	300g	300	
	400g	400	
A10 CHICKEN	500g	500	C-4
	750g	750	
	1000g	1000	
	1200g	1200	

I 4. Quick Microwave Cooking

1) Press “Confirm/+30s/Start” to start cooking with 100% power for 30 seconds. Each added press will increase 30 seconds cooking time up to 95 minutes.

2) Turn “Dial” right to choose cooking time directly then press “Confirm/+30s/Start” key to cook with 100% microwave power.

I 5. Deodorisation

1) Press “Kitchen Assistant” 3 times, the screen displays “AS-3”.

2) Press “Confirm/+30s/Start” to start deodorising (100% microwave power for 5 minutes).

I 6. Steam Clean Function

1) Press “Kitchen Assistant” 5 times, the screen displays “AS-5”.

2) Press “Confirm/+30s/Start” to start steam cleaning (100% microwave power for 5 minutes).

17. Crispy Grill

This function is similar to Home Fry and uses the grill pan. It can make food crispy outside and moist and juicy inside. It can be used to cook chicken wings; fish and other food which you could like to have a crispy surface and juicy inside effect.

- 1) Press the “Crispy Grill” once, “C1” will flash.
- 2) Press “Crispy Grill” repeatedly or turn “Dial” to select crispy grill menu from C1 to C4.
- 3) Press “Confirm/+30s/Start” to confirm.
- 4) Turn “Dial” to choose the weight of food.
- 5) Press “Confirm/+30s/Start” to start cooking.

Note: All the food should be placed on the grill tray, and the grill tray must be placed on grill rack.

Crispy Grill	Weight (g)	Power	Initial Temp.
C1 Cordon Bleu (Fresh Mini Pizza)	300	C-4	Room Temp.
	600		
	900		
C2 (Lasagne)	200	C-4	Refrigerated Temp.
	300		
	400		
	500		
C3 (Bread)	100	Conv. 230°C (without preheating)	Freezing Temp.
C4 (Pie/Tart)	300	Conv. 220°C (with preheating)	Refrigerated Temp.

18. Child Lock

Lock: Press “Eco/Child Lock” for 3 seconds, there will be a long “beep” which denotes entering into the children-lock state and the lock indicator will light. The screen will display current time or 0:00.

Unlock: Press “Eco/Child Lock” for 3 seconds, there will be a long “beep” which denotes that the lock is released, and the lock indicator will disappear.

19. Mute Function

Press “Kitchen Assistant” 4 times, the screen displays “AS-4”. Then press “Confirm/+30s/Start” to enter mute mode. Any operation will not make the buzzer sound.

Press “Kitchen Assistant” 4 times, the screen displays “AS-4”. Then press “Confirm/+30s/Start” to exit mute mode.

20. ECO Function

Press “Eco/Child Lock” once, the screen goes off. Press any button to light the screen again.

21. Inquiring Function

- 1) Whilst microwaving or grilling, if the clock has been set, press “Kitchen Assistant” to check the current time.
- 2) Whilst microwaving or grilling, press “Optional Function” and the current power will be displayed for 3 seconds.

22. Turntable Reset Function

When cooking has finished and the turntable is not at the initial position, it will enter the turntable reset function. The screen will display “[INSERT SYMBOL]” and the lamp, fan and turntable will continue functioning. The oven stops when the reset is complete.

Note:

- 1) This function only works for one complete cooking cycle. If the cycle is paused or the door is opened during it, it cannot use the reset function.
- 2) During the reset status, opening the door or pressing “Stop/Clear” will stop the function.

CLEANING

Be sure to unplug the appliance from the power supply.

1. Clean the cavity of the microwave after using with a slightly damp cloth.
2. Clean the accessories in the usual way in soapy water.
3. The door frame and seal and neighbouring parts must be cleaned carefully with a damp cloth when they are dirty.
4. Do not use harsh abrasive cleaners or sharp metal scrapers to clean the microwave door glass since they can scratch the surface, which may result in shattering of the glass.
5. Cleaning Tip---For easier cleaning of the cavity walls that the food cooked can touch: Place half of a lemon in a bowl, add 300ml (1/2 pint) water and heat on 100% microwave power for 10 minutes. Wipe the microwave clean using a soft, dry cloth.

TROUBLE SHOOTING GUIDE

If you experience difficulties with the appliance, please check the suggestions below before contacting customer services on 01473 271272:

To test microwave is working before cooking food – DO NOT operate empty, instead place one cup of water (approx. 150ml) in a glass in the microwave and close the door securely. Microwave lamp should go off if the door is closed properly. Let the microwave work on full power for 1 min.

Normal	
Microwave interfering with TV reception.	Radio and TV reception may be interfered with when microwave is operating. It is similar to the interference of small electrical appliances, like mixers, vacuum cleaners and electric fans. This is normal.
Dim oven light.	In low power microwave cooking oven light may become dim. This is normal.
Steam accumulating on door, hot air out of vents.	In cooking, steam may come out of the food. Most will get out of the vents. But some may accumulate on a cool place, like the oven door. This is normal.

Fault	Possible Cause	Remedy
Microwave can not be started.	1. Power cord not plugged in properly.	Unplug. Then plug in again firmly after 10 seconds.
	(2) Fuse blown or circuit breaker has tripped.	Consult a qualified electrician to replace fuse or circuitbreaker.
	(3) Trouble with outlet.	Test outlet with other electrical appliances.
Microwave does not heat.	Door not closed properly	Close door properly.
Glass turntable makes noise when microwave oven operates.	Dirty roller rest and oven bottom.	Refer to "Maintenance of Microwave" to clean dirty parts.

CAUTION- HIGH VOLTAGE WARNING



This appliance is equipped with an earthed plug for your protection against possible shock hazards and should be connected to a properly earthed power socket.

Do not operate this oven if the door is bent, warped or otherwise damaged and does not close firmly.

Do not tamper with the door safety interlocks.

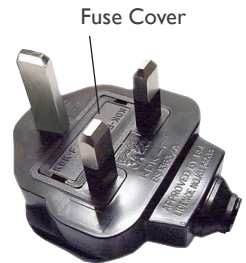
This device is to be serviced only by a qualified electrician.

Disconnect power plug from the mains before servicing.

MAINS PLUG FUSE REPLACEMENT

Fuse Replacement (Class I)

This appliance must be earthed. Remove the fuse cover with a small flat head screw driver. Take out the fuse and replace with a new fuse of the same Amp. Replace the fuse cover and push back into place.



DISPOSAL INFORMATION

The European Directive 2012/19/EU on Waste Electrical and Electronic Equipment (WEEE), requires that old household electrical appliances must not be disposed of in normal unsorted municipal waste.

Old appliances must be collected separately in order to optimise the recovery and recycling of the materials they contain and reduce the impact on human health and the environment.

The crossed out “wheeled bin” symbol on the product reminds you of your obligation, that when you dispose of the appliance it must be separately collected. Consumers should contact their local authority or retailer for information concerning the correct disposal of their old appliance.





Igenix Warranty Terms & Conditions

This product is guaranteed for a period of 12 months as standard from the date of purchase against mechanical and electrical defects. You can extend your warranty for a further 12 months by registering your product.

Upon registration we will cover your product for a period of 24 months from the original purchase date against any mechanical or electrical defects.

To qualify for the warranty, the product must be used for domestic household use only and in accordance with the instructions in the user manual. Any misuse of the product will result in the warranty being void.

The warranty does not cover accidental damage, misuse, neglect, tampering or incorrect adjustment or installation.

The warranty will be rendered invalid if the product is resold, has had its serial number removed (or has an invalid serial number), or if an unauthorised person has carried out any repairs or alterations.

The warranty does not cover accessories or consumable parts that require replacement under normal use. This includes shelving, dials, filters, belts and trays etc.

In the unlikely event of a breakdown please refer to the Troubleshooting guide in your user manual and check all plugs, fuses and the electricity supply.

If you still require assistance please contact our Customer Service department on **01473 271 272** or write to us at the following address:

**Customer Service Department
38 Bluestem Road, Ransomes Europark
Ipswich, IP3 9RR**

Please quote the Product Code which begins 'IG' or 'DF' and the Batch Code beginning '5' and give details of the exact fault. We will then decide whether to repair or replace the item.

Before we arrange the repair or replacement you will be required to return a copy of your proof of purchase. Please retain your original.

If an item is replaced within the agreed warranty period, the warranty for the replacement item will be calculated from the purchase date of the original.

In the event that the product is inspected and no fault is found or the product is not within the warranty period you will be charged for the repair and any carriage costs.



Thank you for choosing Igenix

As a valued customer we would like to offer you a FREE 2 year warranty to cover your product against any electrical or mechanical defects.

This means that in the unlikely event you develop a fault or problem with your product we will happily repair or replace the item free of charge.

To qualify for the 2 year warranty you must register your product within 30 days of purchase. The full Terms & Conditions of our warranty policy are shown on the opposite page. They are also available on our website. **www.igenix.co.uk**

igenix

38 Bluestem Road, Ransomes Europark, Ipswich, IP3 9RR

Tel. 01473 271 272

Disclaimer: Igenix operate a policy of continual improvement and development.
We therefore reserve the right to change/alter the specification and appearance of our appliances without prior notice.
All diagrams and images shown in this manual are for illustration purposes only.